

CIVILMART



MassBloc™
**PRECAST, PERMEABLE
RETAINING WALL SYSTEM**



CIVILMART

Permanent Retaining Structures

The Civilmart MassBloc™ Instant Wall System is comprised of permeable precast units, for various retaining applications. The system is ideal for both cut and fill installations, and available at locations around Australia. The precast, permeable & interlocking design makes for an economical, durable, rapid installation solution for earth retaining in road, rail and marine environments.



The rapid installation choice

MassBloc™ retaining walls can be rapidly deployed, requires minimal base preparation and can be quickly installed with a small crew. MassBloc™ retaining wall assembly is mortarless and each unit is precast with a galvanised lifting point for fast, easy movement and placement on-site.

The rapid installation of the system make it ideal for time-constrained projects or emergency repair works and it allows for lower onsite time & costs, as well as countering further erosion or land slippage.

The permeability advantage

The no-fines mix aids resistance to shearing by increasing friction between units, and the permeability helps to relieve hydrostatic pressure build-up behind the wall, one of the typical causes of retaining wall failure.

Consistency & durability of precast

MassBloc™ retaining wall is precast to Civilmart's ISO 9001 certified quality assurance system, giving the confidence that the product and installation will be consistent with the intended design. The dry stack assembly can tolerate movement and settlement without causing cracking or visual distress at the face, and the vandal & corrosion resistance of precast concrete aids durability and long-term effectiveness.

Supply you can rely on

Civilmart has sold MassBloc™ retaining wall for almost two decades and supply is available from various locations in Queensland, New South Wales, Victoria, Tasmania and South Australia. Civilmart has the ability and experience for a large scale component manufacture, and our local stocking means delivery to site as required, lowering requirements for onsite stocking prior to assembly.



Permeability Helps To Relieve Hydrostatic Pressure Build-Up Behind The Wall

Applications Include:

- Road, Rail & Marine
- Embankments
- Slip Stabilisation
- Bridge Abutments
- Wing Walls
- Drainage Channels
- Scour & Erosion Protection
- Basin Walls
- Riverbank & Foreshore
- Snowfield Applications
- Temporary Works
- Emergency Repairs

MassBloc™ Retaining Units Are Precast, Reducing Installation Time, Cost And OH&S Risk.



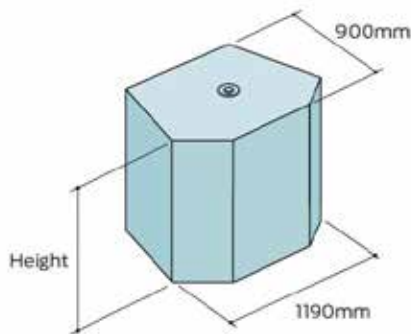
Adaptable Product Range

Civilmart MassBloc™ retaining wall is manufactured in 500mm, 750mm and 1000mm heights to give installation flexibility for graded or undulating top and base surfaces. The unique patented shape of MassBloc™ retaining walls allow for easy installations in varying radii concave and convex curves, and corner units are also available.

Whilst MassBloc™ retaining wall is usually constructed as a mass gravity wall, it can be used in combination with geogrid for soil reinforcement. MassBloc™ retaining wall is also available in optional ‘solid’ nonpermeable mix for load bearing applications.

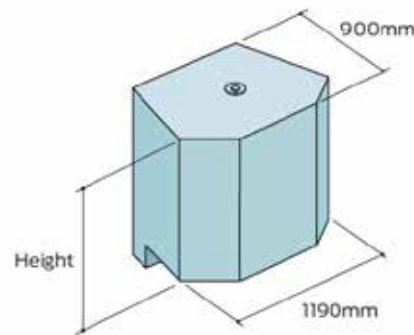
Base unit

The base unit has a flat base profile and is used solely on the bottom row of the wall.



Standard unit

The standard unit has a nib at the bottom, interlocking behind the block. row below.



BASE UNIT HEIGHT	BASE UNIT MASS	STANDARD UNIT HEIGHT	STANDARD UNIT MASS
500mm	785kg	500mm	825kg
750mm	1180kg	700mm	1220kg
1000mm	1575kg	1000mm	1615kg

Aesthetics can be important

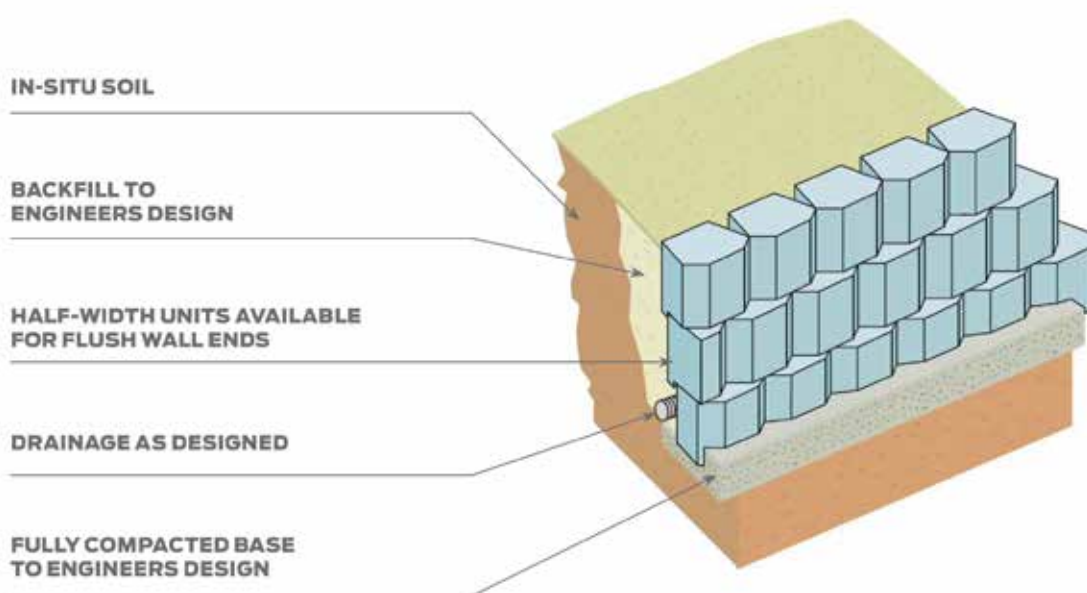
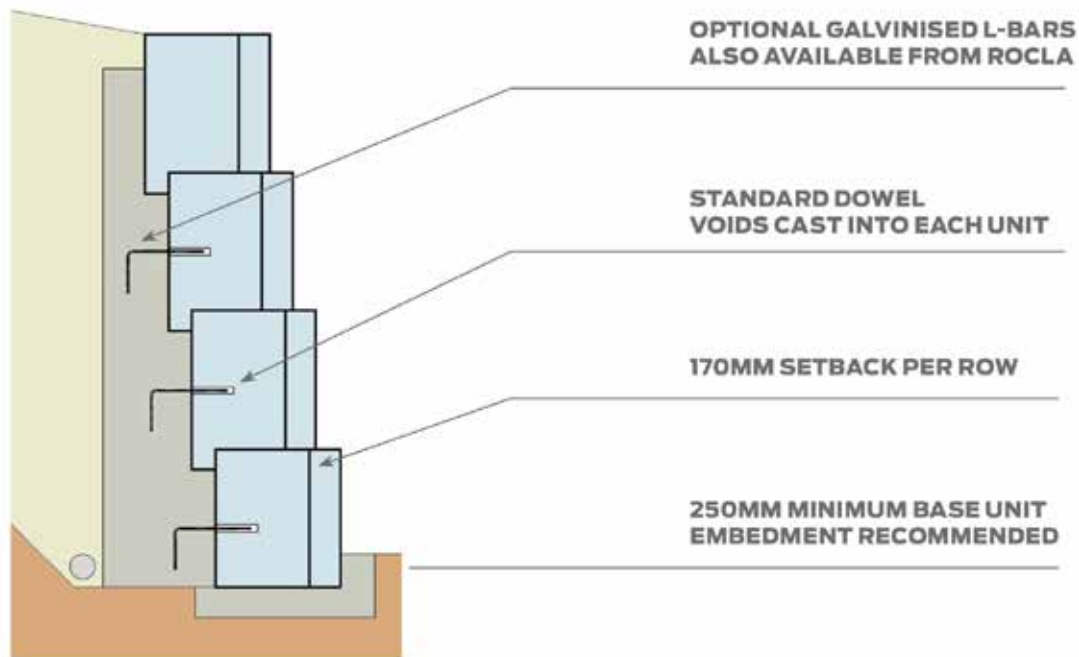
Civilmart MassBloc™ retaining wall is available in a range of colours*,

CHARCOAL, SAND, COFFEE, CLAY + OCEAN, as well as the standard uncoloured units.



Your Design Support

Civilmart's PAD (Product Application Design) service can provide site-specific concept wall layouts & elevations, and the Civilmart MassBloc™ Wall Design Software is available for free download from the MassBloc™ retaining wall page on the Civilmart website. Civilmart strongly recommends that all MassBloc™ retaining walls have a project-specific design prepared by a qualified engineer, with wall design in accordance with AS.4678.



Minimal Crew and Machinery Can Place Up to 75m² of Wall Per Day

EASY INSTALL

Dry-stack assembly and easy-access lifting points in each unit makes MassBloc™ easy to install, with a 3 person crew and suitable machinery all that's typically required. Foundation can be suitable compacted base material or in-situ concrete. Dowel voids are precast into the back of each unit and the system acts as the formwork for the in-situ backfill. Installation must be in accordance with the site specific design and as always the key to any successful wall installation is a level, well compacted, suitable base.





CIVILMART

civilmart.com.au



QLD

Civilmart Sunshine Coast	07 5493 3044
Civilmart Brisbane	07 3800 7855
Civilmart Gold Coast	07 5597 6966
Civilmart Toowoomba Tanks	07 4634 3860
Civilmart Stapylton	07 3807 4511
Civilmart CM Stapylton	07 3804 6622
Civilmart Rocla Rockhampton	07 4923 1500
Civilmart Rocla Cairns	07 4042 3400

NSW

Civilmart Sydney	02 9612 5800
Civilmart Central Coast	02 4355 6300
Civilmart Rocla Mittagong	02 4889 6000
Civilmart Rocla Grafton	02 6640 1800

VIC

Civilmart Melbourne	03 5491 8324
Civilmart Shepparton	03 5821 2810
Civilmart Shepparton Pipe	03 5821 3099
Civilmart Geelong	03 5274 1126
Civilmart Rocla Clayton	03 9549 4500
Civilmart Rocla Campbellfield	03 9292 0300
Civilmart Rocla Wodonga Poles	02 6055 7350
Civilmart Rocla Wodonga Pipe	02 6055 7300

SA

Civilmart Adelaide	08 8209 3093
Civilmart Rocla Adelaide	08 7285 1900